



Process sensors

Level and temperature values via one cable – thanks to IO-Link



Level sensors



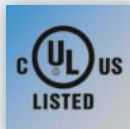
Level and temperature measurement for water- and oil-based media

Integrated overflow prevention

Select level or temperature output

4 x switching outputs or 1 x analogue and 1 x switching output

Available in 3 lengths (264 mm, 472 mm and 728 mm)



One sensor, two measured values

Typical applications are hydraulic power packs and machine tools. The advantage of this sensor: the combined level and temperature monitoring with only one unit reduces the number of sensors, mounting locations, stock-keeping and the installation complexity.

Advantage IO-Link

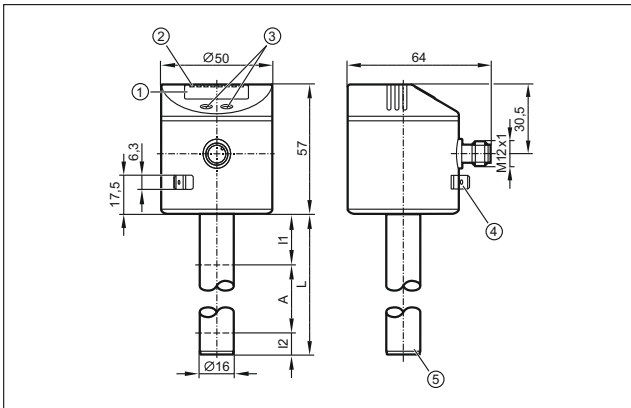
IO-Link transmits both parameters (level, temperature) as digital process values via one single cable. This means that only one input port is required on the controller. Simple and time-saving parameter setting via IO-Link.

Easy installation

Variable installation length for flexible installation.



Dimensions



- 1) 4-digit alphanumeric display
- 2) Status LEDs
- 3) Programming buttons
- 4) Housing connection (flat-pin connector 6.3 mm to DIN 46244)
- 5) Position of the temperature measuring element

Accessories

Type	Description	Order no.
	Welding adapter, process connection \varnothing 50 mm	E43002
	Mounting adapter G 3/4, stainless steel	E43003
	Mounting adapter G 1, stainless steel	E43004
	Mounting adapter, 3/4" NPT, stainless steel	E43012
	Mounting adapter, 1" NPT, stainless steel	E43013
	Flange plate, 54-52 x 52 mm	E43007
	Flange plate, 73-90 mm	E43001
	Flange plate, 100-125 mm	E43005
	Flange plate, 65-80 mm	E43006
	Protective cover, PP (polypropylene)	E43910
	Climatic tube 264 mm, PPH; NBR	E43100*
	Climatic tube 472 mm, PPH; NBR	E43101*
	Climatic tube 728 mm, PPH; NBR	E43102*

* In case of installation in a climatic tube, the response time for the temperature increases.

Probe length L [mm]	Active zone A [mm]	Order no.
---------------------	--------------------	-----------

Output function 1 x NO / NC programmable, 1 x analogue output 4...20 mA or 0...10 V · IO-Link, 4-pole

264	195	LT3022
472	390	LT3023
728	585	LT3024

Output function 4 x NO / NC programmable · IO-Link, 8-pole

264	195	LT8022
472	390	LT8023
728	585	LT8024

Further technical data

Operating voltage	[V DC]	18...30
Ambient temperature	[°C]	0...60
Process connection	[mm]	\varnothing 16
Protection rating, protection class		IP 67, III
Tank pressure	[bar]	0.5
Medium temperature	[°C]	0...70
(For medium temperatures > 35 °C the unit has to be installed in a climatic tube)	oil water	0...65 (depending on the installation length)

IO-Link accessories

Type	Description	Order no.
	USB IO-Link master for parameter setting and analysis of units Supported communication protocols: IO-Link (4.8, 38.4 and 230 Kbits/s)	E30390
	Memory plug, parameter memory for IO-Link sensors	E30398
	Jumper cable M12 plug / M12 socket, 0.3 m black, PUR cable	E12432
	LR DEVICE (supplied on USB flash drive) Software for online and offline parameter setting of IO-Link sensors and actuators	QA0011

Connection technology

Type	Description	Order no.
	Socket, M12, 8-pole, 2 m black, PUR cable	E11231
	Socket M12, 8-pole, 5 m black, PUR cable	E11232
	Socket, M12, 4-pole, 2 m black, PUR cable	EVC004
	Socket, M12, 4-pole, 5 m black, PUR cable	EVC005

For further technical details please visit: www.ifm.com